

VERTICAL BABY CHANGING UNIT

Vertical baby changing unit

The unique hinge construction eliminates finger traps even during opening and closing. The hinge rotates within the enclosed moulding eliminating exposure to moving parts.

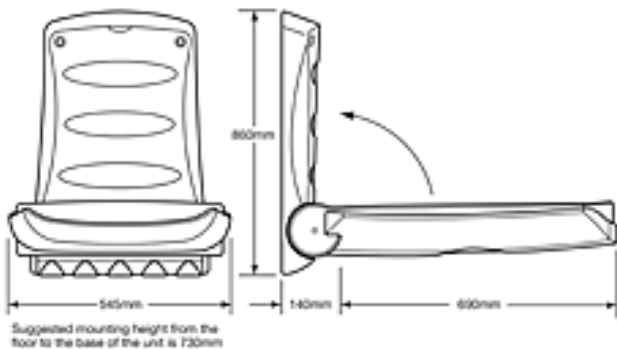
Extra deep barriers provide natural protection.

This intrinsic safety feature eliminates the uncertainty involved in the use of straps. Easy to install with fixing kit



OATMEAL SHOWN

Unit dimensions



See enclosed drawing

Standards

- BS EN 12221:2000 - General Assessment
- BS 5665 Part 3 Toxicity Test
- ASTM G-22 Bacterial
- AFNOR NF 54-005 Changing Units
- ANSI A117.1 for handicapped accessibility
- The Building Regulations - Approved Document M (2004) Section 5.5

Vertical baby change unit

Code: CBSMV64

Colour: WHITE FLECK or OATMEAL

Width: 545 mm

Height: 860 mm

Depth: 830 mm

Weight: 13 kg

Price: P.O.A

Specification

Product: Wall mounted vertical nappy change unit, Ref CBS-KBCS

Size: 545 x 860 x 140 mm

Material

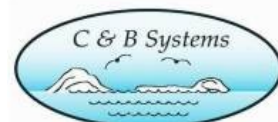
Beige polyethylene, reinforced steel-on-steel hinge and locking system, snap lock safety, gas strut closing mechanism, integral liner dispenser.


*Vanity units, Ducts and Toilet Cubicles are also available.

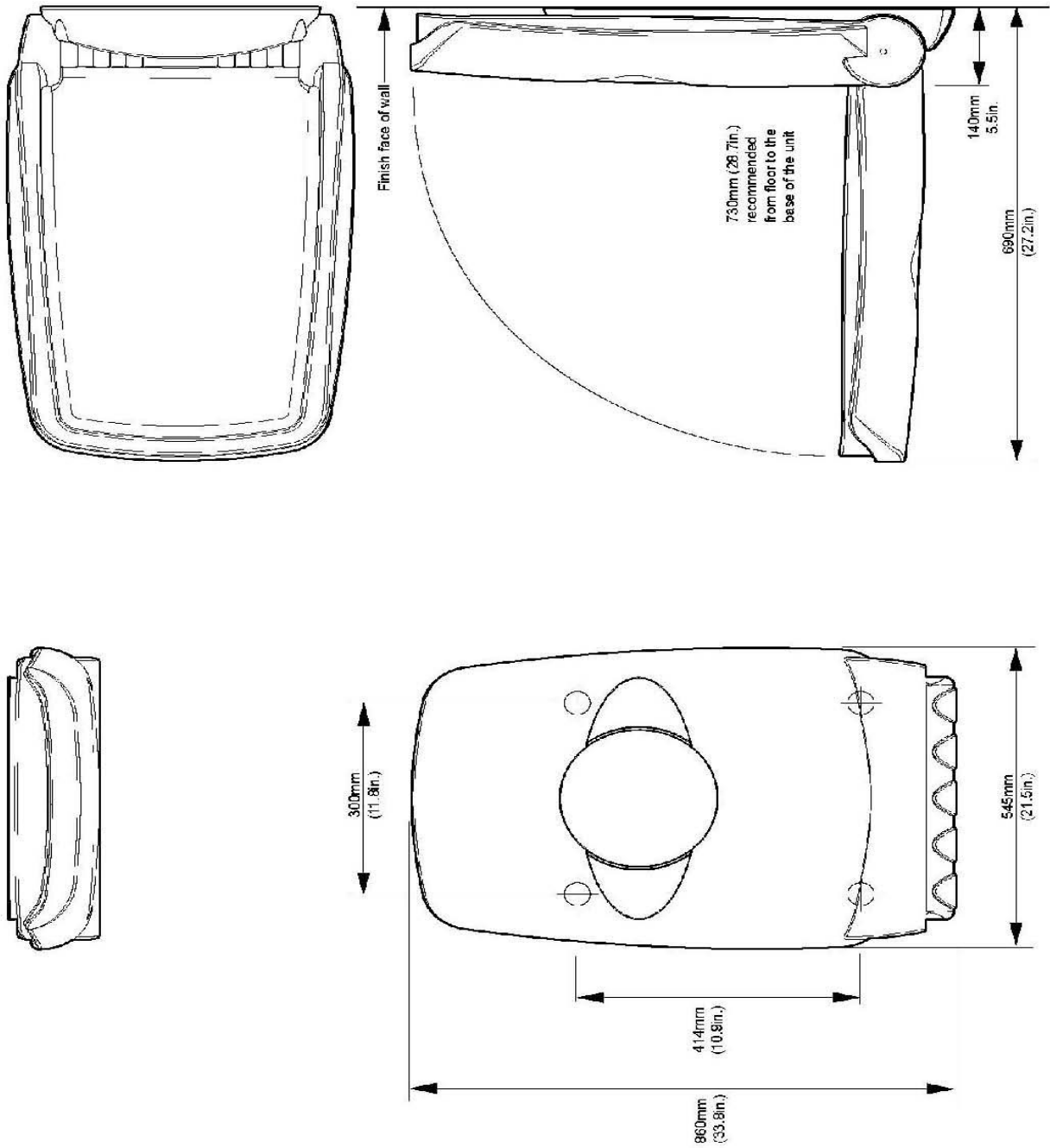
C&B Systems can offer solutions for Hospitals, Hotel, Education, Leisure & Office. For further information contact:-

C&B Systems
Water solutions Centre
25 Church Road
Teddington
Middlesex
TW11 8PF

Tel: 020 8977 2968
Fax: 020 8943 9735
www.c-b systems.co.uk
www.bathrooms-direct.uk.com
E-mail: sales@c-b systems.co.uk
E-commerce shop: www.c-b group.co.uk



Rev	Revisions	By	Date
			
C & B SYSTEMS WATER SOLUTIONS CENTRE 25 CHURCH ROAD TEDDINGTON MIDDLESEX TW11 8PF TEL: 020 8977 2968 FAX: 020 8943 9735 E-mail: sales@cbgroup.co.uk			
PROJECT			
TITLE BABY CHANGE UNITS VERTICAL MOUNTED CODE: CBSMM04			
DRAWN BY	DATE	ISSUED	REV
KH	10 Feb 08		
SCALE 1/4"	1/4"		
N.T.S	CBS		



*Vanity units, Ducts and Toilet Cubicles are also available.

C&B Systems can offer solutions for Hospitals, Hotel, Education, Leisure & Office. For further information contact:-

C&B Systems
 Water solutions Centre
 25 Church Road
 Teddington
 Middlesex
 TW11 8PF

Tel: 020 8977 2968
 Fax: 020 8943 9735
www.c-b-systems.co.uk
www.bathrooms-direct.co.uk
 E-mail: sales@c-b-systems.co.uk
 E-commerce shop: www.c-bgroup.co.uk

