

# HORIZONTAL BABY CHANGING UNIT

## Horizontal baby changing unit

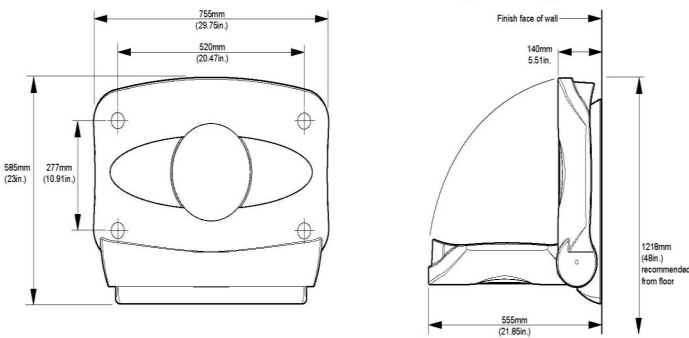
The unique hinge construction eliminates finger traps even during opening and closing. The hinge rotates within the enclosed moulding eliminating exposure to moving parts.

Extra deep barriers provide natural protection.

This intrinsic safety feature eliminates the uncertainty involved in the use of straps. Easy to install with fixing kit



## Unit dimensions



See enclosed drawing

## Horizontal baby change unit

**Code:** CBSMH42

**Colour:** WHITE FLECK or OATMEAL

**Width:** 760 mm

**Height:** 585 mm

**Depth:** 540 mm

**Weight:** 11.5 kg

**Price:** P.O.A

### Specification

**Product:** Wall mounted vertical nappy change unit, Ref CBS-KBHS

**Size:** 760 x 585 x 540 mm

### Material

Beige polyethylene, reinforced steel-on-steel hinge and locking system, gas strut closing mechanism, integral liner dispenser.

### Standards

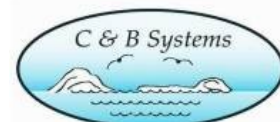
- BS EN 12221:2000 - General Assessment
- BS 5665 Part 3 Toxicity Test
- ASTM G-22 Bacterial
- AFNOR NF 54-005 Changing Units
- ANSI A117.1 for handicapped accessibility
- The Building Regulations - Approved Document M (2004) Section 5.5


\*Vanity units, Ducts and Toilet Cubicles are also available.

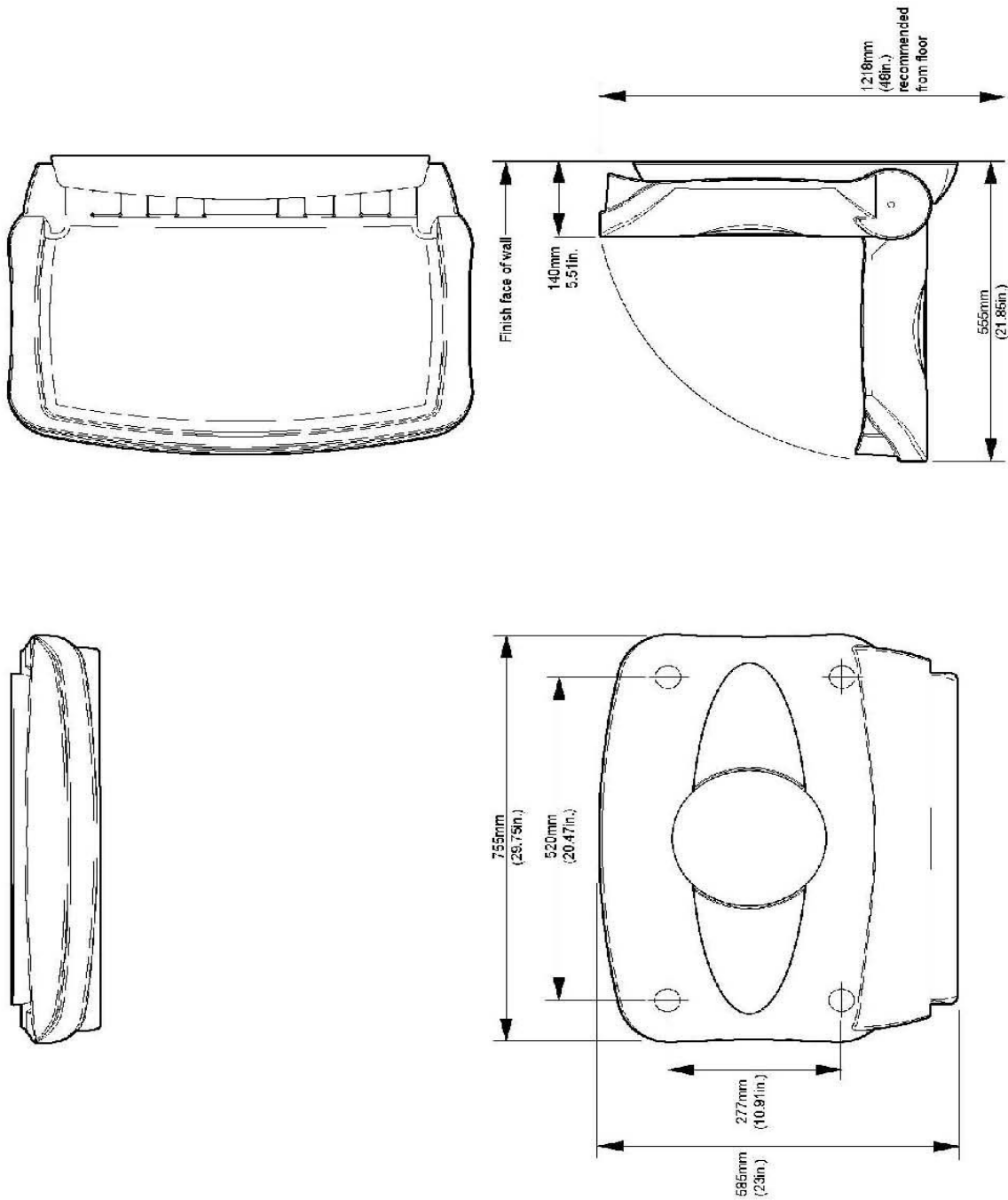
C&B Systems can offer solutions for Hospitals, Hotel, Education, Leisure & Office. For further information contact:-

C&B Systems  
Water solutions Centre  
102/104 Church Road  
Teddington  
Middlesex  
TW11 8PF

Tel: 020 8977 2968  
Fax: 020 8943 9735  
[www.c-b systems.co.uk](http://www.c-b systems.co.uk)  
[www.bathrooms-direct.uk.com](http://www.bathrooms-direct.uk.com)  
E-mail: [sales@c-b systems.co.uk](mailto:sales@c-b systems.co.uk)  
E-commerce shop: [www.c-b group.co.uk](http://www.c-b group.co.uk)



Rev	Revisions	by	date
			
C & B SYSTEMS WATER SOLUTIONS CENTRE 102/104 CHURCH ROAD TEDDINGTON, MIDDLESEX, TW11 8PF TEL: 020 8977 2968 FAX: 020 8943 9735 E-mail: sales@cbgroup.co.uk			
PROJECT			
TITLE <b>BABY CHANGE UNITS</b> <b>HORIZONTAL MOUNTED</b> CODE: CBSM/H42			
DRAWN BY	DATE	BY	CHECK
KH	10 Feb 08		
SCALE	1:1	FORM NO	REV
N.T.S		CBS	



\*Vanity units, Ducts and Toilet Cubicles are also available.

C&B Systems can offer solutions for Hospitals, Hotel, Education, Leisure & Office. For further information contact:-

C&B Systems  
 Water solutions Centre  
 102/104 Church Road  
 Teddington  
 Middlesex  
 TW11 8PF

Tel: 020 8977 2968  
 Fax: 020 8943 9735  
[www.c-b-systems.co.uk](http://www.c-b-systems.co.uk)  
[www.bathrooms-direct.uk.com](http://www.bathrooms-direct.uk.com)  
 E-mail: sales@c-b-systems.co.uk  
 E-commerce shop: www.cbgroup.co.uk

