



**Name: Single Bowl/Single Drainer Inset Sink**

**Art No: B20086D**

**Material: Stainless Steel 18/10 1.4301 ASTM304**

**Dimensions: 1800x500x192**



B20086D Double Bowl/Double Drainer Inset Sink

A double bowl/double drainer inset sink manufactured from 0.91mm thick, austenitic stainless steel, satin polish finish. This sink has all four sides incorporating a rimmed edge profile, particularly suitable for inseting into a standard sized worktop. The bowls are prepared for a 38mm waste and overflow and can be supplied with waste, plug, chain and overflow as an extra. Two tapholes at 180 centres are provided, positioned centrally between the bowls, suitable for mixer taps only. Supplied complete with fixing clips.

external: 1800x500x192

cut out size: 1790x490

bowl: 460x340x180

B20087D

Double bowl/double drainer inset sink

bowl: 460x340x250

B20086D

Double bowl/double drainer inset sink

Extras:

F2119

38mm waste, plug, chain and overflow

F1026

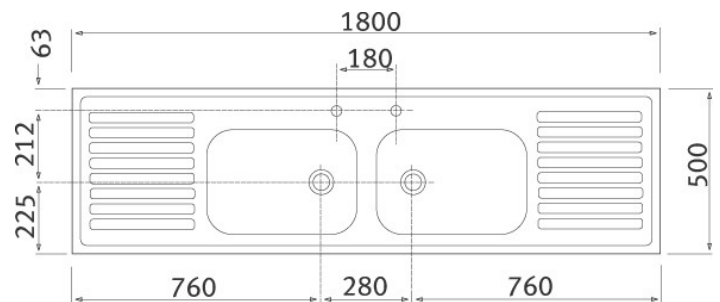
Deck pattern mixer tap

F1083

High neck pillar taps (pair)

Summary Points:

- Material thickness 0.91mm
- Insetting into a worktop
- Medium to heavy installations



\*Custom made products are available upon request\*

Brightwashrooms can offer solutions for Hospitals, Hotel, Education, Leisure & Office. For further information contact:-

**Brightwashrooms**  
Water solutions Centre  
25 Church Road  
Teddington  
Middlesex  
TW11 8PF

Tel: 020 8977 2968  
Fax: 020 8943 9735  
[www.brightwashrooms.com](http://www.brightwashrooms.com)  
[sales@brightwashrooms.com](mailto:sales@brightwashrooms.com)

75% Recycled paper

