

Markwik 21 Bib Mixer Thermostatic, Single Lever Sequential, Bioguard

ILLUSTRATED

A6060 (TB-H2A) Markwik 21 integral thermostat, single sequential lever bib mixer, single flow horizontal outlet, 2 x 1/2" inlets at 200mm centres, Armitage Bioguard outlet fitted

ILLUSTRATED PRODUCT DETAILS

Weights

A6060 4.00 KG

Finishes

A6060  Chrome (AA)

Materials

A6060 Chrome Plated Brass

Standards

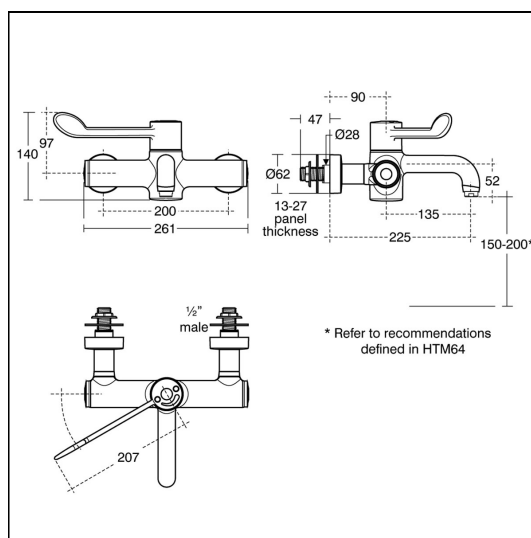
Conforms to HBN 00.10, HBN 00.09 and HTM 04-01 Addendum 2013.

Special Notes

This product is fitted with an Armitage Bioguard outlet which reduces the opportunity for bio film attachment and is lined with anti-microbial copper.

Single lever operates on/off and temperature control. Suitable for high and low pressure systems. Unique built-in thermal disinfection cleansing feature using kit S8239NU a bridging hose which is reusable. A purging tool A4556AA is also available to facilitate initial installation or aid in system disinfection.

* Line drawings shows recommended height over vessel please allow for clearance to any upstands. Especially suited to medium and large hospital pattern integral back outlet basins and washing associated with clinical or nursing procedures



ACCREDITATIONS



FEATURES

