



Sensorflow 21 Washbasin Tall Spout Electronic Sensor, Mains

Illustrated

A4171 Sensorflow 21 washbasin mounted tall spout with integral sensor, anti vandal laminar flow outlet, copper tube inlet, servicing valve and filter, mains

Configuration options

Material

Chrome Plated Brass

Weights

A4171 3.60KG

Colours

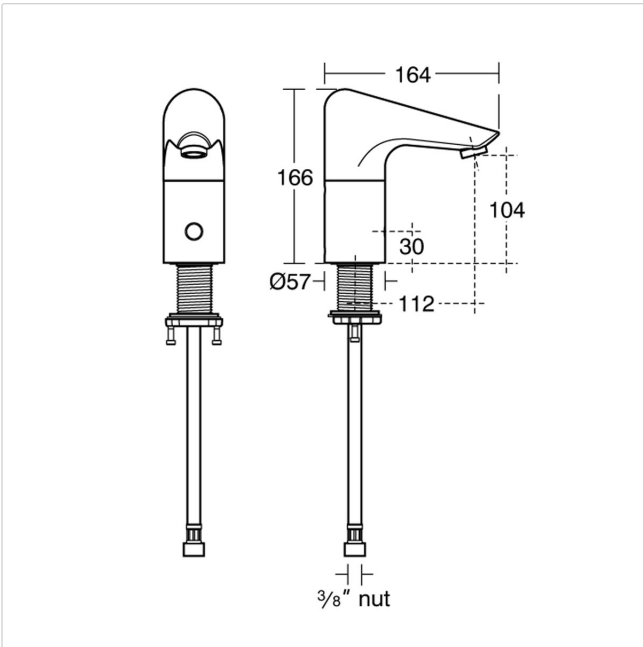
Chromium plated (AA)
Brushed Steel (GN)

Flow rates

3.7 Litres per minute @ 3 bar pressure

Special Notes

Designed to be supplied with pre-mixed water. Consideration should be given to safe hot water delivery and the use of an appropriate temperature reduction device see A5900. The sensor is set to work in the normal handwashing position. All spouts supplied complete with individual solenoid valve, copper tube inlet and combined servicing valve and filter. Spouts with integral sensors detect hands within the sensing range and the solenoid valve is opened. Automatically shuts off if sensor is obstructed for a maximum of 55 seconds. Mains powered transformer with option to use up to 5 link units per main unit or stand alone battery powered units. Flow rate regulated to 3.7 litres per minute.



The tail has a 33mm Diameter

Frequently used applications

Education	Factory
General Healthcare	Hotels
Office	Public Building
Pubs and Clubs	Retail
Sports and Leisure	Vandal Risk

Features

Water Saving

Accreditations

WRAS
WTL
Water Label